

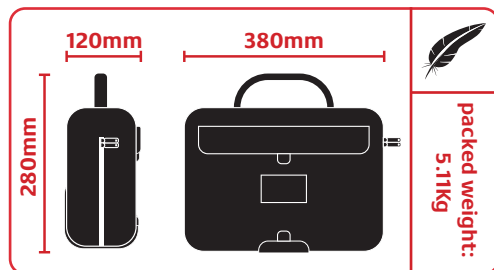
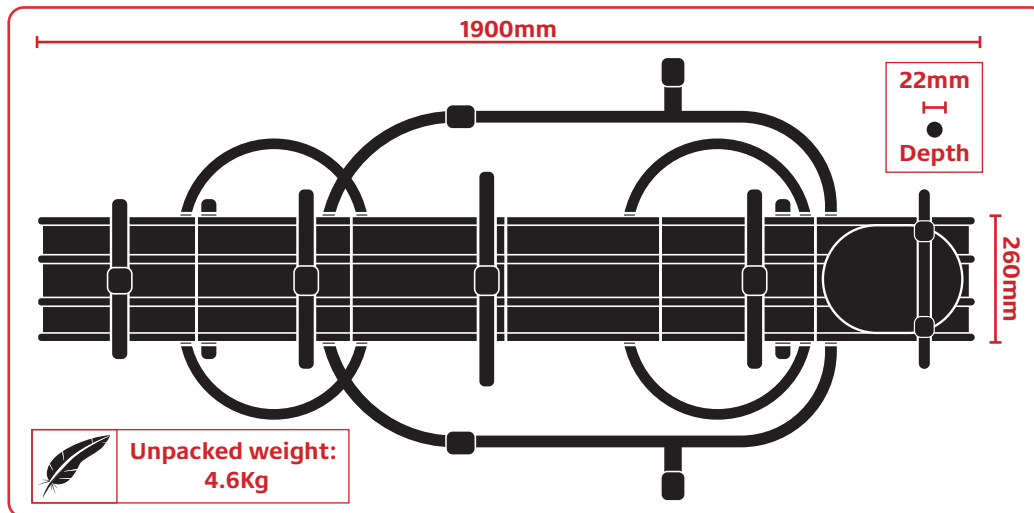


# Collapsible Micro-Stretcher (CMS)

NSN: 6530-99-846-6119



In an emergency, fast retrieval of a casualty from a challenging environment is life-critical, with the Collapsible Micro-Stretcher (CMS) it is possible to attend to the injured quickly, safely and effectively in most terrain; desert, arctic, mountain or battlefield. Assembly from a small carry case in a few seconds, offers fast and easy of transportation.



The CMS is a **lightweight, compact** and rigid stretcher developed for military, blue light and rescue applications. Ideal over rough terrain or where there is limited vehicle access. Keep readily available in forward operating bases, in vehicles, ships, rescue craft, helicopters, transport aircraft, etc.



- The construction comprises of **carbon fibre rods** with strengthening inserts encased in a hard-wearing netting frame – that contributes to its unique weight, strength and rigidity.
- Provides ample support for the casualty with spinal and head injury and over-body, chin or head restraining straps.
- Tested to withstand up **to 311 kilo in weight (up to 3.5 times the average UK male).**
- The web mesh material also allows ease of cleaning and is available in a choice of colours to suit its application.

Code: MF451

WWW.BCBIN.COM  
 Email: info@bcbin.com  
 Tel: +44 (0) 29 2043 3700



# Collapsible Micro-Stretcher (CMS)

NSN: 6530-99-846-6119

## Key Features

- Allows quick & effective assembly **in under 20 seconds.**
- Effective protection & safety: Removable head support with associated strap.
- 4 restraining straps, groin /over body straps & spinal support for ease of securing the casualty.
- **Easy to assemble:** No training necessary.
- Adaptable rescue method: suitable for 4-person horizontal lift, and 6-person horizontal lift with lifting strap (included)
- Suitable for vertical winch by helicopter/alternative mechanical means with hoisting strap assembly\* (optional extra)
- Easy to folds into 6 equal sections, so easy to stow in its small carry case.
- Strong and durable rigid stretcher: Strain tested to transport a **load of 311 kilo** (equivalent to 47 stone).
- Easy to clean, mesh fabric & frame.
- Back-packable for hands-free carrying.



Removable head pad.



50mm wide quick release double secured straps.

Available in the below colours:



Black



Orange &  
Yellow



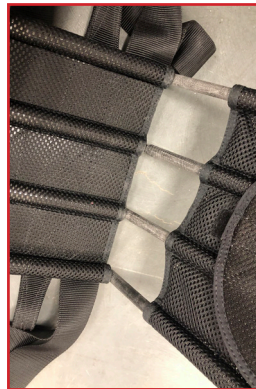
Sand &  
Desert



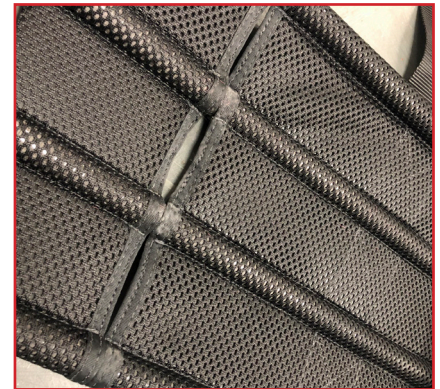
Olive  
Green

Optional extras / spares:

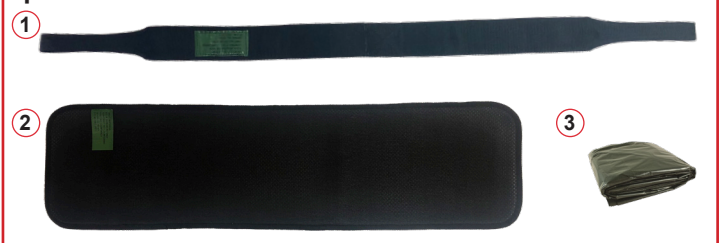
| Item              | NSN              |
|-------------------|------------------|
| Carry Bag,        | 6530-99-264-1682 |
| Head Pad          | 6530-99-846-6119 |
| Lifting Strap (1) | 6530-99-564-1679 |
| Mattress (2)      | 6530-99-357-9601 |
| Foil Blanket (3)  | 4240-99-296-4206 |
| Hoisting strap *  | TBA              |



6 mesh fabric sections with quickly interlocking hollow carbon fibre poles which slide in or out securely.



Spares available



Code: MF451

WWW.BCBIN.COM

Email: info@bcbin.com

Tel: +44 (0) 29 2043 3700