



MS7 - Buccaneer APE System

The **Buccaneer** delivers projectiles designed to deploy at extended range using compressed air.

The **Buccaneer** is a vehicle borne unit, weighing 40 kilograms, and can be carried by two people.

Can be set up and operated by one individual within 3 minutes and is extremely flexible having a 360 degree rotation and depression and elevation of 45 degrees from the horizontal.

It will safely fire a Det cord line 50 metres, the end of which should be attached to a solid object or ground peg at firing location.

The **Buccaneer** can be operated safely via a tethered. or remote control Firing Panel using no explosive/pyrotechnic parts, other than det cord attached.

It can be loaded with alternative projectiles, such as high density smoke flares, grenades, etc. and reloaded in 3 minutes.

It is capable of clearing paths up to 50 metres x 0.3 metres.

- **Weight 40 Kilos**
- **Range 50 Metres**
- **Can be operated by one person**
- **Fire from a tripod, Trailer or a wheeled base.**
- **Packed for transportation in a Peli case.**
- **British made**

Remote control firing panel



FEATURE	BUCCANEER
BARREL DIAMETER	125mm/5 inches
LINE LENGTH	50-100M
BARREL LENGTH	48" (120cm)
Max Operating charge	40bar (600psi)
Weight (exc. trailer)	40 Kg
Dimensions	27 x 117 cm (11x 47 ")
Option	Single or V shaped barrel

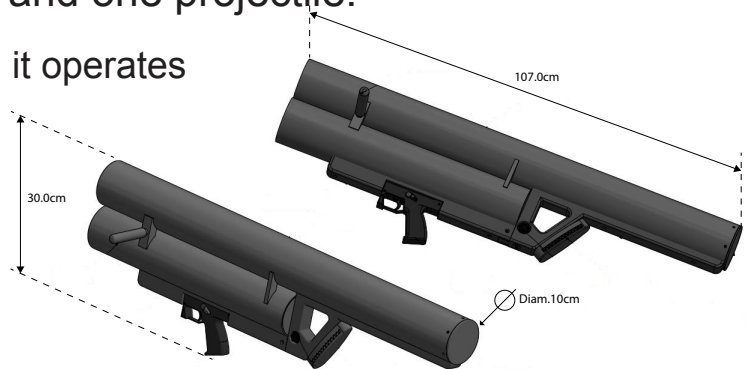


MS6 - Barracuda Hand Held APE System

The **Barracuda** is a hand-held device capable of launching a 36 Metre (40yard) detonating card and line, and one projectile.

Made of aluminium and stainless steel, it operates at only 150 pounds per square inch.

Set up and operated by an individual within 2 minutes, is trigger-fired and re-loadable within a minute.



- Can clear paths up to 30 x 0.3 metres.
- Deployable in under 3 minutes
- Weight 13 Kg
- Projectile Length: up to 100cm.
- Range 30 M
- Operated by one person
- British made
- New C.O.T.S.
- Comes in carrying case with two munitions



FEATURE	BARRACUDA
BARREL DIAMETER	125mm/5 inches
LINE LENGTH	36M/40YDS
BARREL LENGTH	24" (50cm)
Max Operating charge	11bar (160psi)
Total Weight	13Kg
Dimensions	15 x 130 cm (6 x 52 ")





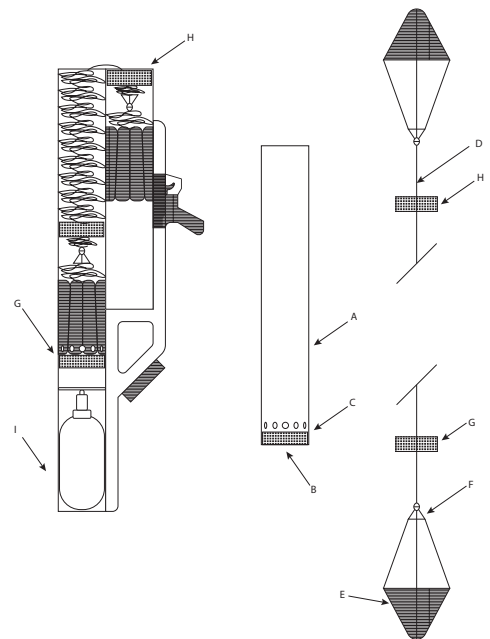
MS6 - Barracuda Hand Held APE System

FEATURES COMPARED	BUCCANEER 'MOUNTED'	BARRACUDA 'HAND HELD'
Arresting Line Length	35 metres +	105 metres +
Max. Operating Charge	12.5 Bar	40 Bar
Barrel Diameter	10 cm	10 cm
Barrel length	107 cm	128 cm
Volume - Dimensions	0.02 cbm	0.315 cbm



Title Buccaneer	Designer A. Buchanan	Revision 1	Document Number BCNR001
© Event Horizon Ltd.			

Page 1 of 2



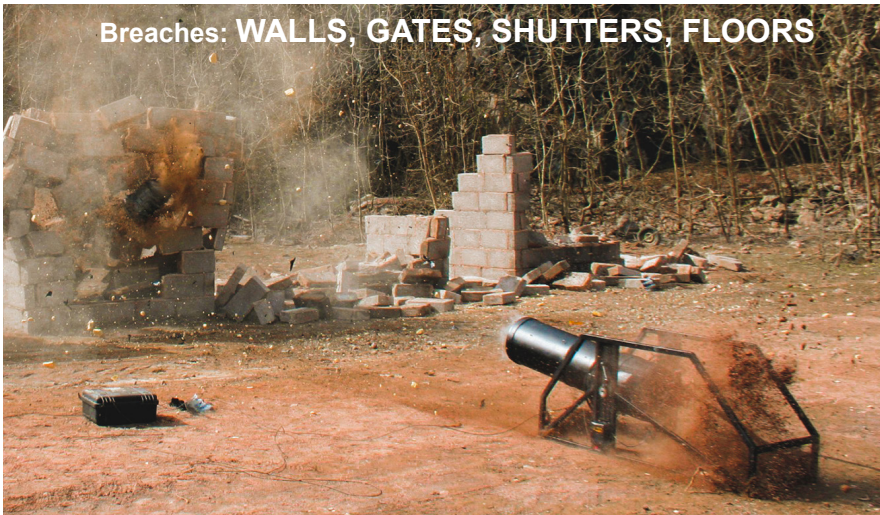


Air Pressured Explosive Systems

For Information only - too heavy for MS6/MS7.

Tested by
UK POLICE and
US Law Enforcement

The **Wall-Breach System (WBS)** has impressive fire-power for it's size. It is a compressed air cannon, capable of providing a non-explosive method of entry to a building or site for tactical or rescue operations. With minimum recoil and maximum penetration, the WBC uses standard water bottles filled with SAND, CEMENT or just WATER, depending on the breach target.



*In tests, the
Wall Breach Cannon
broke through walls 14 inches thick.
at a pressure of over 800psi*

The APE-WBS is mounted on it's own trailer but can also be vehicle mounted.

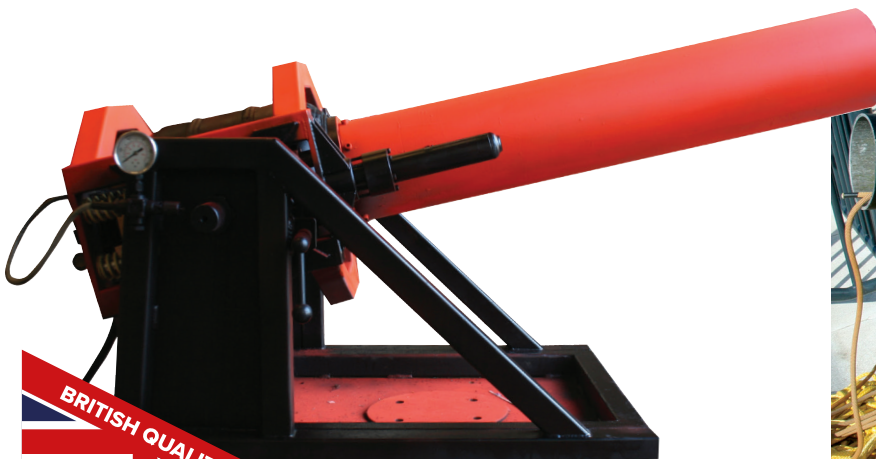
Weighing approximately 195 kg, it can be lifted by two people.

This system can be set up and operated by one individual within 5 minutes and has an adjustable elevation of between 30° and 45 degrees from the horizontal.

WBS Cannon is the 'Big Brother' to Buccaneer.

- Uses the compressed air fire power of the Wall- Breaker Cannon.
- It is fitted with a smaller barrel, for safe distance delivery of a det line.
- Operated remotely via a tethered control box using no explosive or pyrotechnic parts, other than the detonation cord attached.
- It is capable of clearing paths up to 200 metres x 0.3 metres.

FEATURE	WALL CANNON
BARREL DIAMETER	175mm
LINE LENGTH	200M
BARREL LENGTH	1.2 metres
Max Operating charge	40bar (600psi)
Total Weight	195Kg
Dimensions	60 x 130 cm



BRITISH QUALITY

www.bcb.in.com | email: info@bcb.in.com | tel: +44 (0) 29 2043 3700

APE PROJECTILES - Option 1

- Polycarbon cased.
- Both can be used interchangeably in the APE systems.
- The length of the projectiles can vary depending on the amount of line content and firing distance required.

USE - For delivering det cord over a distance before detonating to clear safe pathways.

CONTENT options:

- Paracord and Det cord

DETAILS	SAMPLE LENGTH	DIAMETER	EMPTY-WEIGHT	LENGTH OF DET CORD
Barracuda	1073 mm		11.73	
Projectile	400 mm	100 mm	0.94 Kg	10 METRES



Comprises of:

- Projectile, polycarbon tube, which is attached to a:
 - Trunk-line, 200 kilos breaking strain with
 - Cable ties; electrical and 1 pair of scissors to trim off the tail of the cable tie, once connected.
- Det Cord and detonator are not supplied by BCB. But can be supplied separately by Event Horizons, Wiltshire.

Flexible linear explosives with a core of PETN explosive encased in a plastic outer jacket



SD51126

Hazardous Shipping Description
Cord, Detonating, 1.1D, UN 0065, II EX 1992020035

Recommendations

ALWAYS cut detonating cord with a sharp, non-sparking knife.

NEVER attempt to cut detonating cords by abrasion or with a blow from a sharp blunt object.

ALWAYS use square knots to extend/join detonating cords that will propagate self-to-self. When connecting downlines to trunklines, always use a clove hitch knot and keep incoming and outgoing cords at right angles to avoid possibility of cut offs.

NEVER join 1. 2 and 3 together with knots because it will not propagate self-to-self.

ALWAYS use a double wrap clove hitch knot to connect 1. 2 and 3 detonating cord to the trunkline cord.

Minimum recommended initiating detonator is a No. 8 strength.

Transportation, Storage and Handling

- Must be transported, stored, handled, and used in conformity with all federal, state, provincial and local laws and regulations.
- For maximum shelf life (5 years), det cord must be stored in a cool, dry, well-ventilated magazine.

NB. Det cord and detonator will not be supplied by BCB.

Detonating Cord

PETN Coreload Nominal*		Outside Diameter*		Tensile Strength*		Colour / Counter	Weight / Case*		Spools / case	Length	Spool	Net Explosives Content* NEC/ 1000 ft		Velocity of Detonation minimum
g/m	gr/ft	mm	in	kg	lbs		kg	lbs				kg	lbs	
10.6	50	4.70	0.19	90	200	Red	13	28	2	350	1150	3.40	7.15	6,700

* All weights and dimensions are approximate

Notes:

- Higher coreload detonating cords may be available.
- Alternative packaging is available for some products.

ROLLER PROJECTILE - Option 2

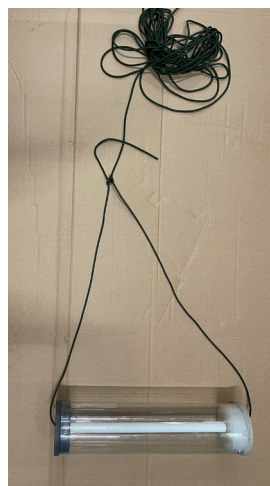
POLYCARBONATE TUBE

USE - For pulling back, after firing, and rolling over contaminated ground back to source point.

The weighted roller will disturb any ground-based UED, whilst the person pulling remains at a safe distance.

CONTENT options:

- Stones
- Sand



DETAILS	SAMPLE LENGTH	DIAMETER	WEIGHT	LENGTH OF PARA/DET CORD
SAND FILLED	400mm	100 mm	4.27 Kg	
stone filled	400 mm	100 mm	3.58 Kg	
Paracord	400 mm	100 mm	1.16 Kg	15M DET & 10M PARA